

FIGURE 2
SIDE-VIEW OF MOUNTING RING
SEE NOTE 9.

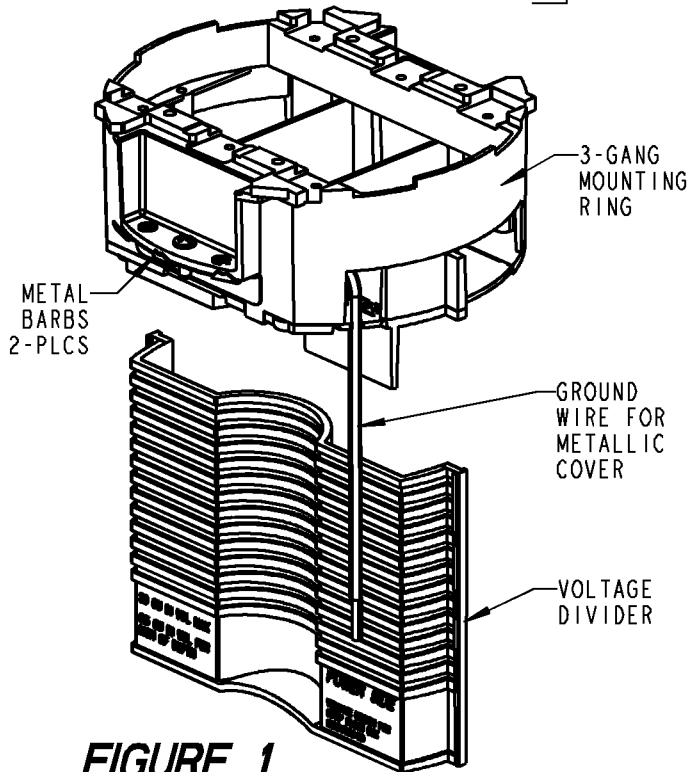


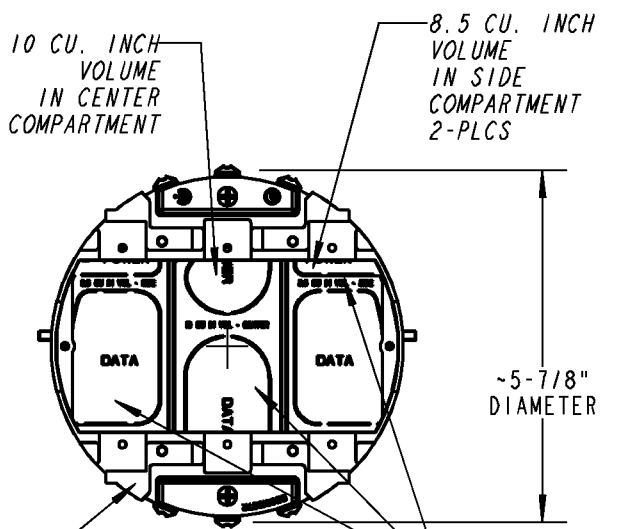
FIGURE 1
68-HP-FMK
3-GANG
MOUNTING
KIT

NOTES:

1. THE 68-HP-FMK IS A 3-GANG MOUNTING KIT USED TO MOUNT A 68-HP SERIES FLUSH COVER TO A 68-HP SERIES FLOOR BOX. SEE FIGURE 4.
2. MOUNTING RING ACCEPTS ANY 3 DECORA POWER RECEPTACLES OR DECORA DATA PLATES.
3. MOUNTING RING ACCEPTS 3 DUPLEX RECEPTACLES.
4. MOUNTING RING WILL ACCEPT ONLY 1 GFCI RECEPTACLE IN CENTER GANG.
5. INCLUDES 1 CENTER AND 2 SIDE DEVICE TRIM PLATES, SEE FIGURES 1 AND 3.
6. INCLUDES 3 DUPLEX TRIM PLATES, SEE FIGURES 1 AND 3.
7. INCLUDES VOLTAGE DIVIDER TO SEPARATE POWER CONDUCTORS AND DATA CABLES.
8. INCLUDES GROUND WIRE TO GROUND METALLIC 68-HP SERIES COVER.
9. REMOVABLE METALLIC BARBS ARE USED TO SECURE MOUNTING RING TO INSIDE WALLS OF BOX. MOUNTING RING CAN BE REMOVED IF NEEDED. SEE FIGURE 2.
10. SEE FIGURE 3 FOR PART DETAILS.
11. SEE RELATED SALES DRAWINGS:
 WSD-000582 68-HP NON-METALLIC BOX
 WSD-000583 68-HP-CI CAST IRON BOX
 WSD-000586 68-HP-FC-XXX FLUSH COVER KIT
12. OTHER POWER AND TRIM PLATES AVAILABLE. SEE WSD-000588 OR CONTACT T&B TECHNICAL SERVICES DEPARTMENT.

CATALOG NO:
68-HP-FMK
FLUSH MOUNTING KIT

GENERAL NOTES		Thomas & Betts			
1. ALL DIMENSIONS ARE FOR REFERENCE ONLY. 2. DIMENSIONS IN BRACKETS [] ARE IN METRIC UNITS.					
REVISIONS		ORIGINAL PROJECT NO / (ERN NO) SHEET NO: REV. NO: DRAWING NO: UD55819 / (2011942) 1 OF 2 1 WSD-000584			
1. SEE ERN 2013889 FOR APPROVAL SIGNATURES & RELEASE DATE. PROJECT NO: 5AM400388					



3-GANG MOUNTING RING

REMOVABLE POWER OR DATA KNOCKOUTS IN BOTTOM OF EACH COMPARTMENT PROVIDE FOR DUAL VOLTAGE SERVICE

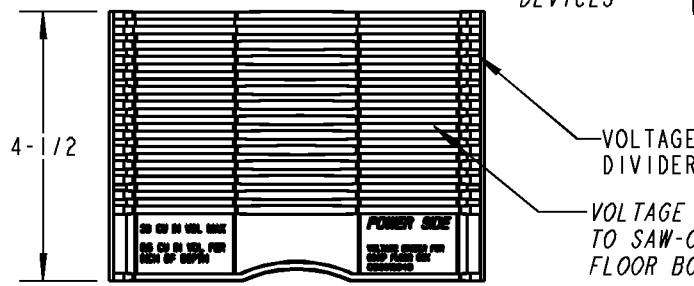
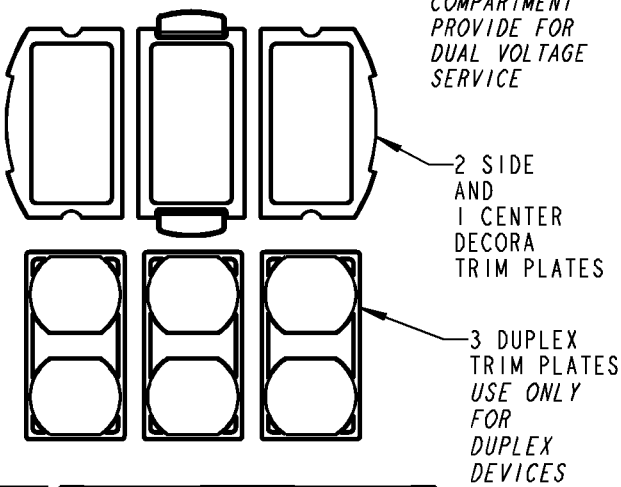
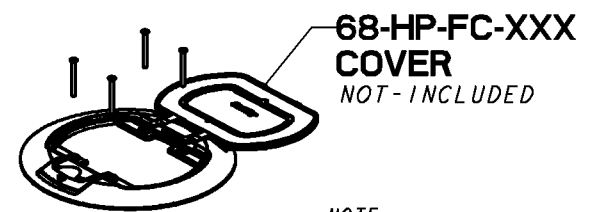
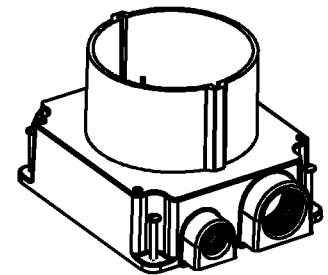
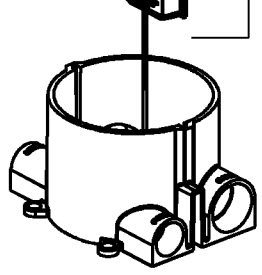
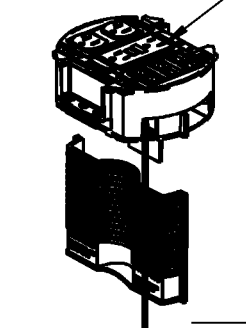


FIGURE 3
PARTS INCLUDED IN KIT



NOTE:
GFCI DEVICE CAN ONLY BE USED IN CENTER COMPARTMENT



68-HP
NOT-INCLUDED

68-HP-CI
NOT-INCLUDED

CAN BE USED WITH 68-HP OR 68-HP-CI FLOOR BOX

FIGURE 4
RELATED BOXES AND COVER

Thomas & Betts

DESCRIPTION: **68-HP-FMK FLUSH MOUNTING KIT**

SHEET NO: 2 OF 2	REV. NO: 1	DRAWING NO: WSD-000584
---------------------	---------------	----------------------------------

THIS DRAWING IS INTENDED FOR DESCRIPTIVE PURPOSES ONLY. AND THE RIGHT IS RESERVED TO DEVIATE FROM ANY OF THE DETAILS SHOWN HEREON. COPYRIGHT THOMAS & BETTS CORPORATION. ALL RIGHTS RESERVED. PROPRIETARY AND CONFIDENTIAL.